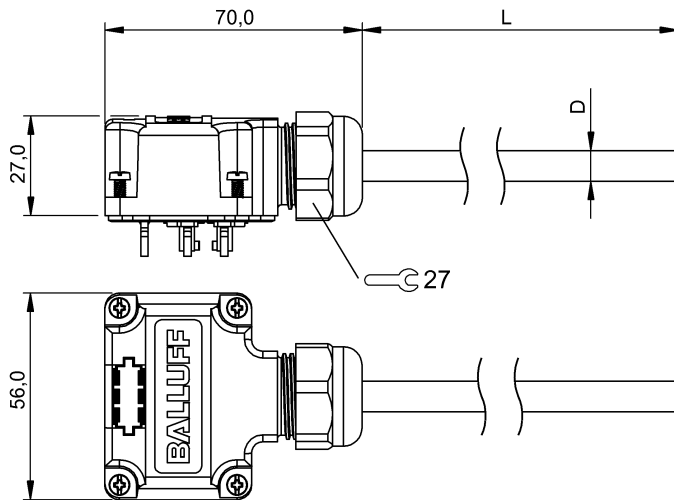


Junction blocks
BPI T00E-K-00-KPXB0-030
Order Code: BPI0083

BALLUFF



Basic features

Approval/Conformity	CE UKCA WEEE
---------------------	--------------------

Electrical connection

Bending radius min., fixed cable	7.5 x D
Bending radius min., flexible cable	15 x D
Cable	PUR black, 3 m, drag chain compatible
Cable diameter D	8.30 mm ±0.3 mm
Cable, bending cycles min.	2 mil.
Conductor cross-section	0.34 mm ² + 1.0 mm ²
Number of conductors	11

Electrical data

Output current max.	2 A
Total current max.	8 A

Remarks

Cable construction acc. to UL-AWM Style 20549/10493
 Flame resistance per IEC 60332-1-2
 Flame resistance per UL 758/1581 FT2
 Halogen-free per DIN VDE 0472 Part 815
 Halogen-free acc. to IEC 60754-1
 Oil resistant per DIN EN 60811-404 (VDE 0473-811-404)
 Enclosure rating per IEC 60529, only in screwed state with the associated mating piece.
 Suitable for use with BPI 8M4A4P-2K-00-TP0E

Environmental conditions

Cable temperature, fixed routing	-40...80 °C
Cable temperature, flexible routing	-20...80 °C
IP rating	IP67, when threaded in

Material

Cable jacket, material	PUR
Housing material	PBT, GF

Mechanical data

Acceleration max., drag chain	10 m/s ²
Cable jacket, color	black
Cable length L	3.00 m
Cable properties	drag chain compatible
Horizontal travel permitted, drag chain	10 m at 10 m/s ²
Traverse speed max., drag chain	3 m/s

Wiring Diagrams

Anschlussstabelle / terminal diagram

Klemme Nr. Termina No.	M12 Buchse / M12 Socket Steckplatz/Kontakt / Slot/contact	Anschlußleitung Standardfarbe Standard cable colour coding	Kontaktbelegung / Contactassignment
1	1 / 4	WH	<p>Buchse / Socket M12</p> <p>(-) 3 4 (NO/1.Signal)</p> <p>5 (PE)</p> <p>(NC/2.Signal) 2 1 (+)</p> <p>Klemmen / terminals</p>
2	2 / 4	GN	
3	3 / 4	YE	
4	4 / 4	GR	
5	5 / 4	PK	
6	6 / 4	RD	
7	7 / 4	BK	
8	8 / 4	VT	
+1	1, 3, 5, 7 / 1 (+)	BN	
+2	2, 4, 6, 8 / 1 (+)	n.c.	
-1	1, 3, 5, 7 / 3 (-)	BU	
-2	2, 4, 6, 8 / 3 (-)	n.c.	
PE	1-8 / 5 (PE)	YE/GN	